

# SHIMPO

## EVB-Series

# ABLE

## Right Angle Servo Reducers



### New Performance Leader

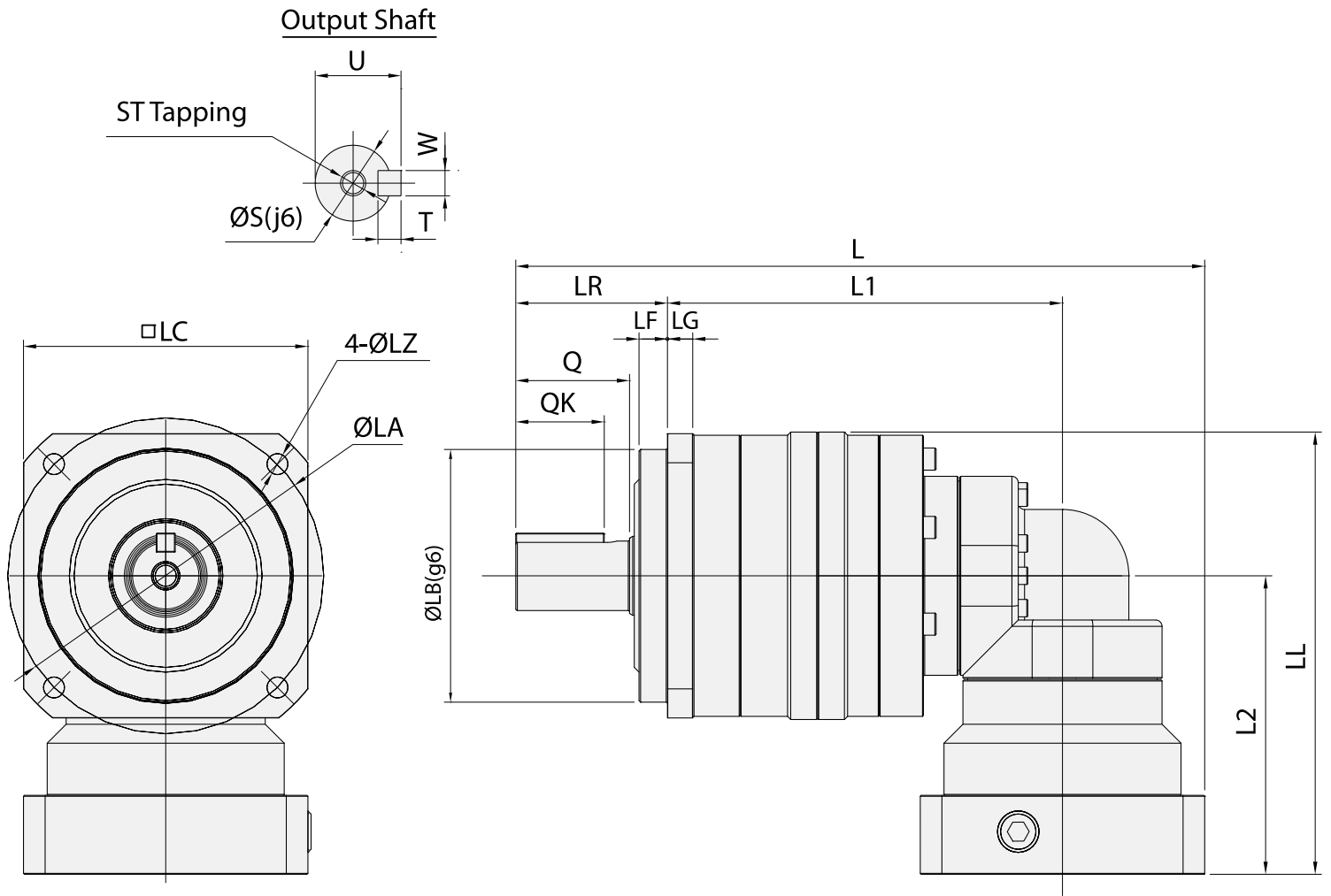
- Industry Standard Mounting Dimensions
- Thru-bolt Mounting Style
- Low Backlash ( $\leq 6$  arc-min)
- Readily Available
- Assembled in the USA

A *Nidec* Group Company

**SHIMPO**

All for dreams

# EVB DIMENSIONS



Frame	Reduction	SS	LA	LB	LC	L	L1	LR	LF	LG	LZ	Q	QK	LL	L2	AQ	S	T	W	U	ST
060	Double	8	70	50	60	151.5	83	37	6	6	5.5	28	22	103	71.5	32	16	5	5	18	M5
		14				109								77.5	35						
		19				126								94.5	50						
	Triple	8				158	95							96	64.5	32					
		14				163.5	100							68.5	35						
090	Double	14	100	80	90	205.5	112	48	9	8	6.6	36	28	137.5	92	35	22	6	6	24.5	M8
		19				145.5								100	50						
		28				174.5								129	67						
	Triple	8				204.5	125							117	71.5	32					
		14				210.5	123							77.5	35						
		19				140	94.5							50							
						170	110							50							
115	Double	19	130	110	115	266	141	65	4	10	9	58	45	196	136	67	32	8	10	35	M12
		28				213								153	82						
		38				268.5								152	92	35					
	Triple	14				272	161.5							152	92	35					
		19				160	100							50							
		28				189	129							67							
						227	152							67							
140	Double	28	165	130	140	341	169	97	12	12	11	82	65	242	167	82	40	8	12	43	M16
		38				343.5								288	213	118					
		48				361.5								204.5	185	110					
	Triple	19				364	211							136	67						
		28				228	228							82							
		38				228	228							82							

Note 1: Depending on installed servo motor, the L/LL/L2 dimensions varies slightly.

Note 2: For other input shaft dimensions, bushing is installed into input shaft.

Note 3: Double reduction 3-10:1. Triple reduction 15-100:1.

# EVb SPECIFICATIONS

Specification	Frame	060		090	
	Ratio	Double Reduction	Triple Reduction	Double Reduction	Triple Reduction
Nominal Output Torque	Nm	24	24	65	65
Maximum Output Torque	Nm	45	45	90	110
Emergency Stop Torque	Nm	90	90	220	220
Backlash	arc-min	6	9	6	9
Nominal Input Speed	rpm	3000	3000	3000	3000
Maximum Input Speed	rpm	6000	6000	6000	6000
Allowable Radial Load	N	640	1200	1200	2400
Allowable Thrust Load	N	530	1100	1600	2200
Weight	kg	1.8	1.6	5.1	4.4
Unit Life	hrs	20000	20000	20000	20000
Protection*		IP40	IP40	IP40	IP40
Moment of Inertia	kgcm <sup>2</sup>	Contact us for details			

Speed Reduction Ratio	Double	3,4,5,6,7,8,9,10:1
	Triple	15,16,20,25,28,30,35,40,45,50,60,70,80,90,100:1

\* Unit can achieve IP65 rating with appropriate sealant added between adapter and motor connection. Contact Shimpo for details if IP65 rating is necessary.

Specification	Frame	115		140	
	Ratio	Double Reduction	Triple Reduction	Double Reduction	Triple Reduction
Nominal Output Torque	Nm	150	150	300	300
Maximum Output Torque	Nm	300	300	600	600
Emergency Stop Torque	Nm	550	550	1100	1100
Backlash	arc-min	6	9	6	9
Nominal Input Speed	rpm	3000	3000	2000	2000
Maximum Input Speed	rpm	6000	6000	4000	4000
Allowable Radial Load	N	2000	4300	4700	9100
Allowable Thrust Load	N	2500	3900	4100	8200
Weight	kg	10.4	10.1	19.1	19.6
Unit Life	hrs	20000	20000	20000	20000
Protection*		IP40	IP40	IP40	IP40
Moment of Inertia	kgcm <sup>2</sup>	Contact us for details			

Speed Reduction Ratio	Double	3,4,5,6,7,8,9,10:1
	Triple	15,16,20,25,28,30,35,40,45,50,60,70,80,90,100:1

\* Unit can achieve IP65 rating with appropriate sealant added between adapter and motor connection. Contact Shimpo for details if IP65 rating is necessary.

# Improving the Speed of Industry

## Servo Motor Planetary Gear Reducers



ABLE Inline Series



ABLE Right Angle Series



ABLE with Rotary Stage

## Mechanical Adjustable Speed Drives

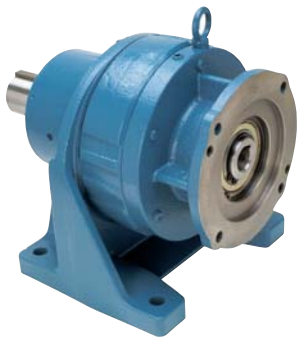


Standard Ringcone



Ringcone Motor Assembly

## Industrial Duty Speed Reducers



Circulute Cycloidal Reducer



Circulute with Servo Input



Circulute Pulley Style

A **Nidec** Group Company

**SHIMPO** All for dreams

SHIMPO DRIVES, INC. 1701 Glenlake Avenue Itasca, IL 60143 USA • Phone: (800) 842-1479 • Fax: (630) 924-7382

[www.shimpodrives.com](http://www.shimpodrives.com) • [info@shimpodrives.com](mailto:info@shimpodrives.com)