

# SHIMPO

## EVS-Series

# ABLE

## Right Angle Servo Reducers



### New Performance Leader

- Industry Standard Mounting Dimensions
- Thru-bolt Mounting Style
- Low Backlash ( $\leq 6$  arc-min)
- Highest Radial and Axial Load Ratings
- Readily Available
- Assembled in the USA

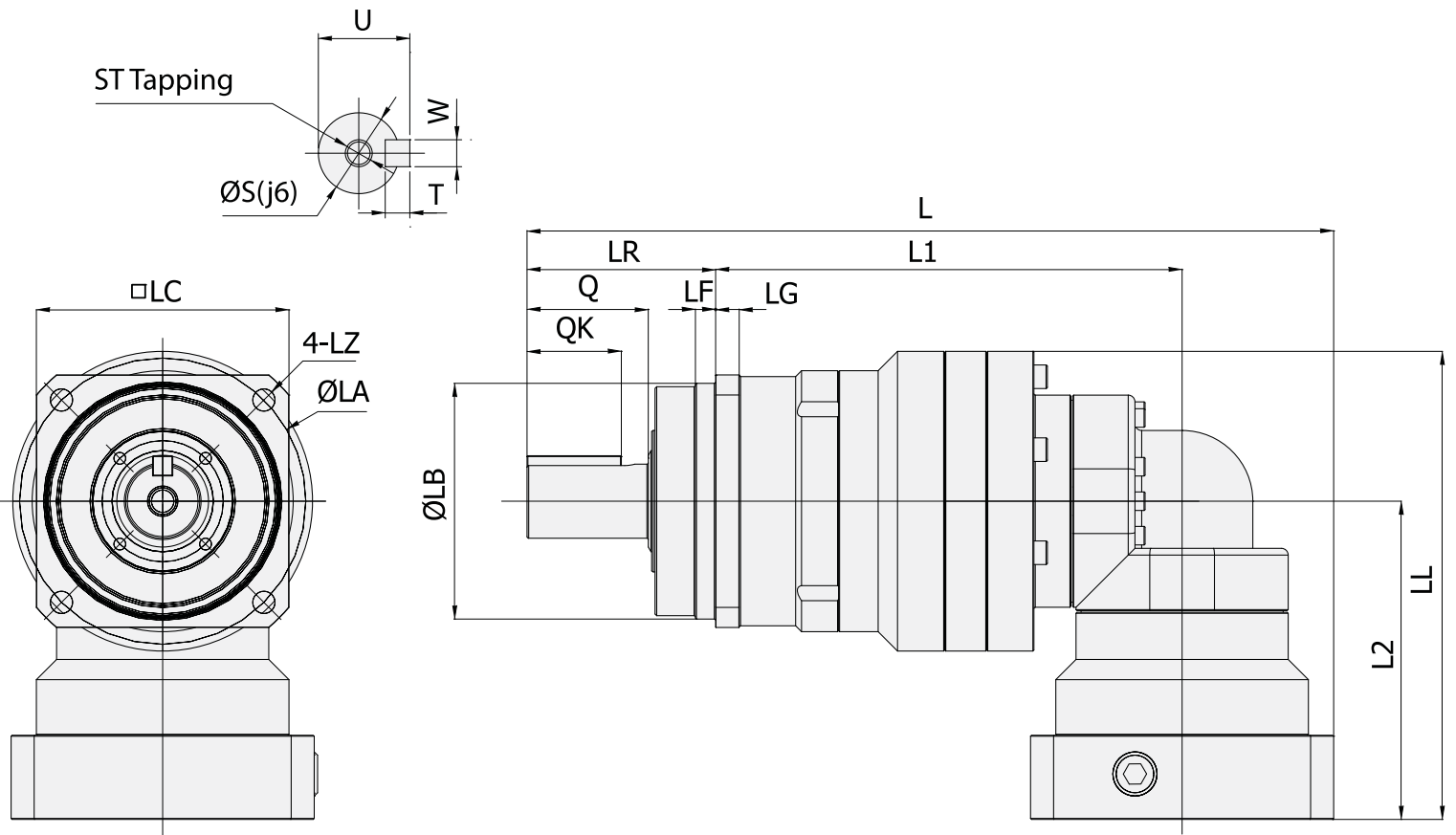
A *Nidec* Group Company

**SHIMPO**

All for dreams

# EVS DIMENSIONS

Output Shaft



Frame	Reduction	SS	LA	LB	LC	L	L1	LR	LF	LG	LZ	Q	QK	LL	L2	AQ	S	T	W	U	ST
060	Double	8	68	60	60	132	171.5	48	5	6	5.5	28	22	103	71.5	32	16	5	5	18	M5
		14				135								109	77.5	35					
		19				150								177.5	126	94.5					
	Triple	8				151	178							96	64.5	32					
		14				156	183.5							100	68.5	35					
075	Double	14	85	70	75	164.5	222.5	56	6	7	6.6	36	28	137.5	92	35	22	6	6	24.5	M8
		19				174.5								145.5	100	50					
		28				191.5								174.5	129	67					
	Triple	8				181.5	226							116	71.5	32					
		14				186.5	226							122	77.5	35					
19	196.5	232	139	94.5	50																
100	Double	19	120	90	100	213.5	292.5	88	8	10	9	58	45	170	110	50	32	8	10	35	M12
		28				230.5								196	136	67					
		38				251.5								295	213	153					
	Triple	14				231	298.5							152	92	35					
		19				241	298.5							160	100	50					
28	258	298.5	189	129	67																
140	Double	28	165	130	140	274	366	112	10	12	11	82	65	227	152	67	40	8	12	43	M16
		38				289								242	167	82					
		48				330								368.5	288	213					
	Triple	19				291.5	386.5							185	110	50					
		28				308.5	386.5							211	136	67					
38	323.5	389	228	153	82																

Note 1: Depending on installed servo motor, the L/LL/L2 dimensions varies slightly.

Note 2: For other input shaft dimensions, bushing is installed into input shaft.

Note 3: Double reduction 3-10:1. Triple reduction 15-100:1.

# EVS SPECIFICATIONS

Specification	Frame	060		075	
	Ratio	Double Reduction	Triple Reduction	Double Reduction	Triple Reduction
Nominal Output Torque	Nm	24	24	65	65
Maximum Output Torque	Nm	45	45	90	110
Emergency Stop Torque	Nm	90	90	220	220
Backlash	arc-min	6	9	6	9
Nominal Input Speed	rpm	3000	3000	3000	3000
Maximum Input Speed	rpm	6000	6000	6000	6000
Allowable Radial Load	N	2400	3000	3300	3900
Allowable Thrust Load	N	2700	2700	4300	3900
Weight	kg	2.0	1.8	4.8	4.1
Unit Life	hrs	20000	20000	20000	20000
Protection*		IP40	IP40	IP40	IP40
Moment of Inertia	kgcm <sup>2</sup>	Contact us for details			

Speed Reduction Ratio	Double	3,4,5,6,7,8,9,10:1
	Triple	15,16,20,25,28,30,35,40,45,50,60,70,80,90,100:1

\* Unit can achieve IP65 rating with appropriate sealant added between adapter and motor connection. Contact Shimpo for details if IP65 rating is necessary.

Specification	Frame	100		140	
	Ratio	Double Reduction	Triple Reduction	Double Reduction	Triple Reduction
Nominal Output Torque	Nm	150	150	300	300
Maximum Output Torque	Nm	300	300	600	600
Emergency Stop Torque	Nm	550	550	1100	1100
Backlash	arc-min	6	9	6	9
Nominal Input Speed	rpm	3000	3000	2000	2000
Maximum Input Speed	rpm	6000	6000	4000	4000
Allowable Radial Load	N	4900	6300	9700	10000
Allowable Thrust Load	N	7000	6300	9000	9000
Weight	kg	10.5	10.1	20.6	20.7
Unit Life	hrs	20000	20000	20000	20000
Protection*		IP40	IP40	IP40	IP40
Moment of Inertia	kgcm <sup>2</sup>	Contact us for details			

Speed Reduction Ratio	Double	3,4,5,6,7,8,9,10:1
	Triple	15,16,20,25,28,30,35,40,45,50,60,70,80,90,100:1

\* Unit can achieve IP65 rating with appropriate sealant added between adapter and motor connection. Contact Shimpo for details if IP65 rating is necessary.

# Improving the Speed of Industry

## Servo Motor Planetary Gear Reducers



ABLE Inline Series



ABLE Right Angle Series



ABLE with Rotary Stage

## Mechanical Adjustable Speed Drives



Standard Ringcone



Ringcone Motor Assembly

## Industrial Duty Speed Reducers



Circulute Cycloidal Reducer



Circulute with Servo Input



Circulute Pulley Style

A **Nidec** Group Company

**SHIMPO** All for dreams

SHIMPO DRIVES, INC. 1701 Glenlake Avenue Itasca, IL 60143 USA • Phone: (800) 842-1479 • Fax: (630) 924-7382

[www.shimpodrives.com](http://www.shimpodrives.com) • [info@shimpodrives.com](mailto:info@shimpodrives.com)