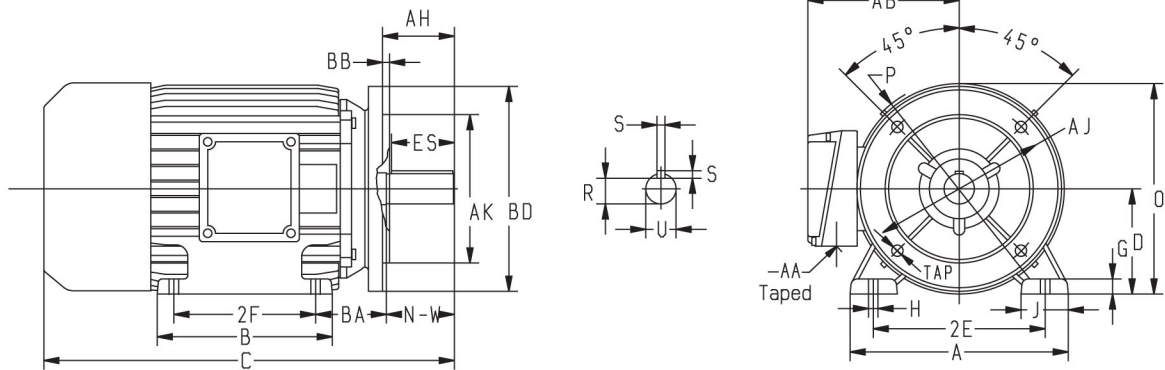


### Premium Brake – 143TC-286TSC C-Face Mounting Dimensions

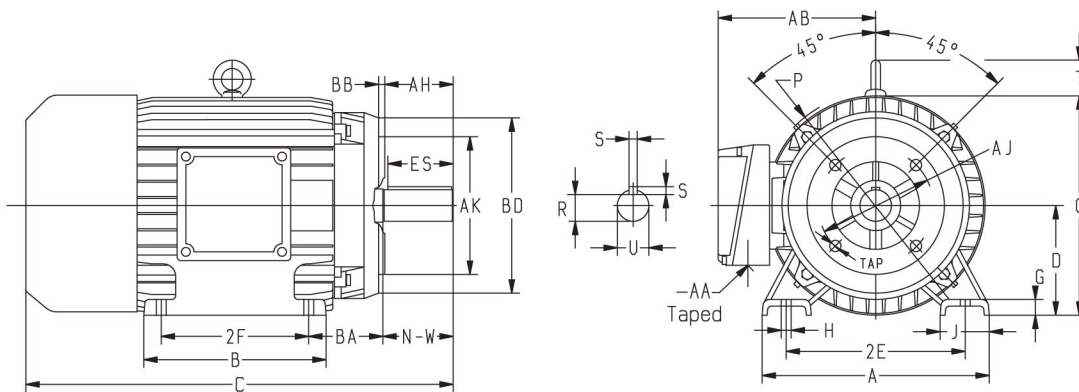
#### 143TC-145TC



Frame	Mounting Dimensions											Overall Dimensions								Bearing
	A	B	D	2E	2F	H	R	U	N-W	AA	BA	ES	C	G	J	O	P	S	AB	
143TC	6.62	5.83	3.50	5.50	4.00	0.34	0.771	0.875	2.25	3/4	2.25	1.52	17.31	0.39	1.66	7.48	8.27	0.188	6.50	6205 2Z
145TC	6.62	7.00	3.50	5.50	5.00	0.34	0.771	0.875	2.25	3/4	2.25	1.52	18.27	0.39	1.66	7.48	8.27	0.188	6.50	6205 2Z

Units in inches. Manual release is located on the top of the fan guard and has a height of 3.5 inches from the fan guard to the handle.

#### 182TC-286TSC



Frame	Mounting Dimensions											Overall dimensions								Bearing	
	A	B	D	2E	2F	H	R	U	N-W	AA	BA	ES	C	G	J	O	P	S	T		AB
182TC	9.00	6.74	4.50	7.50	4.50	0.41	0.986	1.125	2.75	1	2.75	1.94	22.21	0.60	2.13	9.09	9.53	0.250	1.77	7.90	6306 2Z
184TC	9.00	8.31	4.50	7.50	5.50	0.41	0.986	1.125	2.75	1	2.75	1.94	22.17	0.60	2.13	9.09	9.53	0.250	1.77	7.90	6306 2Z
213TC	10.24	8.10	5.25	8.50	5.50	0.41	1.201	1.375	3.38	1	3.50	2.55	23.83	0.72	2.20	10.55	10.94	0.312	1.77	8.45	6308 2Z
215TC	10.24	9.60	5.25	8.50	7.00	0.41	1.201	1.375	3.38	1	3.50	2.55	27.45	0.72	2.20	10.55	10.94	0.312	1.77	8.45	6308 2Z
254TC	12.28	9.92	6.25	10.00	8.25	0.55	1.416	1.625	4.00	1 1/4	4.25	3.11	30.31	0.58	2.36	13.18	14.17	0.375	2.08	10.08	6309 2Z
256TC	12.28	11.65	6.25	10.00	10.00	0.55	1.416	1.625	4.00	1 1/4	4.25	3.11	32.08	0.58	2.36	13.18	14.17	0.375	2.08	10.08	6309 2Z
284TC	13.78	11.61	7.00	11.00	9.50	0.55	1.591	1.875	4.62	1 1/2	4.75	3.53	36.46	0.89	2.75	14.01	14.17	0.500	2.08	10.34	6311 2Z
284TSC	13.78	11.61	7.00	11.00	9.50	0.55	1.416	1.625	3.25	1 1/2	4.75	2.10	35.16	0.89	2.75	14.01	14.17	0.375	2.08	10.34	6311 2Z
286TC	13.78	13.11	7.00	11.00	11.00	0.55	1.591	1.875	4.62	1 1/2	4.75	3.53	36.54	0.89	2.75	14.01	14.17	0.500	2.08	10.34	6311 2Z
286TSC	13.78	13.11	7.00	11.00	11.00	0.55	1.416	1.625	3.25	1 1/2	4.75	2.10	34.72	0.89	2.75	14.01	14.17	0.375	2.08	10.34	6311 2Z

Units in inches. Manual release is located on the top of the fan guard and has a height of 3.5 inches from the fan guard to the handle.